

Accu-Lube[®] Technical Information

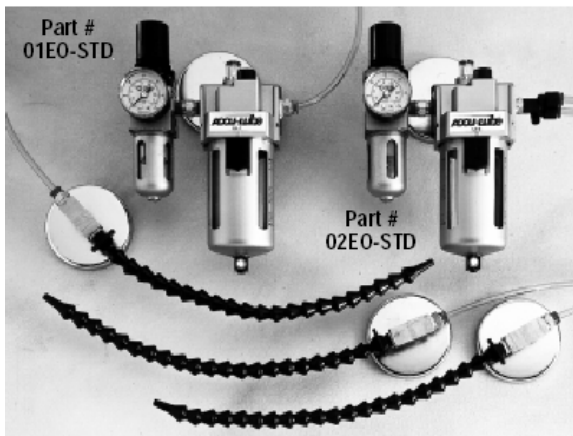
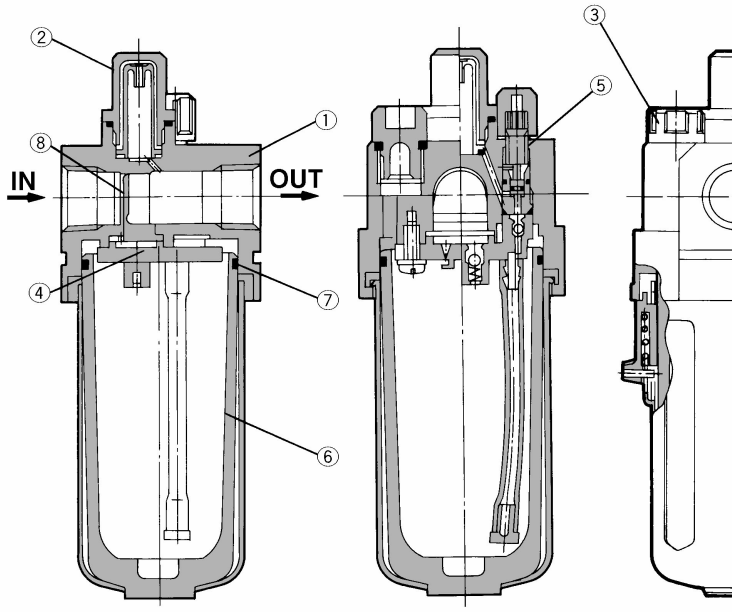
Repair Kit for Accu-Lube LS-1 and LS-2 Applicators

Part Number: 9368

Price: \$44.25

Contents:

- 2) Sight Dome Assembly
- 3) Filler Plug Assembly
- 4) Damper Holder Assembly
- 5) Needle Stud Assembly
- 8) Damper



Part #	Description
01E0-STD	1 Nozzle Applicator, FLR (Filter/Lubricator/Regulator) including 12" Loc-Line Nozzle with Magnetic Base and Magnetic Mount
02E0-STD	2 Nozzle Applicator, FLR (Filter/Lubricator/Regulator) including 12" Loc-Line Nozzle with Magnetic Base and Magnetic Mount

Prices and specifications subject to change without notice December 23, 2002

ITW Fluid Products

3624 West Lake Avenue, Glenview, Illinois 60025

Tel (800) 452-5823, Tel (847) 657-5359

Fax (800) 952-5823, Fax (847) 657-4897

www.itwfpg.com